

# KitchenAid® 30" (76 cm) Freestanding Electric Range

## PRODUCT MODEL NUMBERS

KERS205T

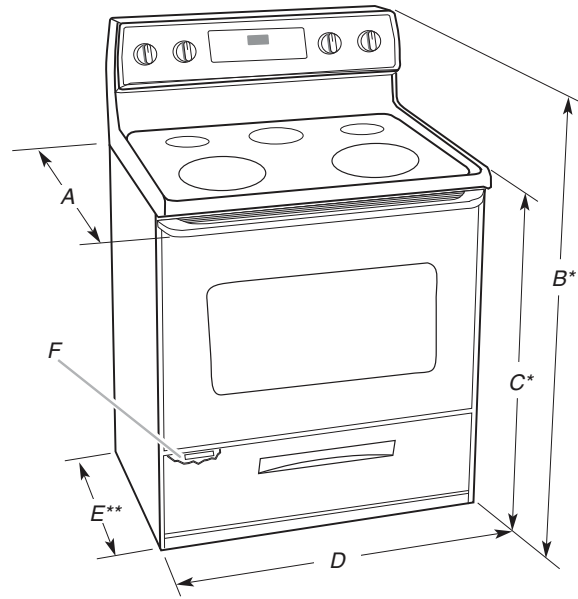
**Electrical:** Range must be connected to the proper electrical voltage and frequency as specified on the model/serial number rating plate. The model/serial number rating plate is located behind the control panel or on the oven frame behind the storage drawer panel. Refer to the figures in the "Product Dimensions" section.

This range is manufactured with the neutral terminal connected to the cabinet. Use a 3-wire, UL listed, 40- or 50-amp power supply cord (pigtail). If local codes do not permit ground through the neutral, use a 4-wire power supply cord rated at 250 volts, 40 or 50 amps and investigated for use with ranges.

A time-delay fuse or circuit breaker is recommended.

The range can be connected directly to the circuit breaker box (or fused disconnect) through flexible or nonmetallic sheathed, copper or aluminum cable.

## PRODUCT DIMENSIONS

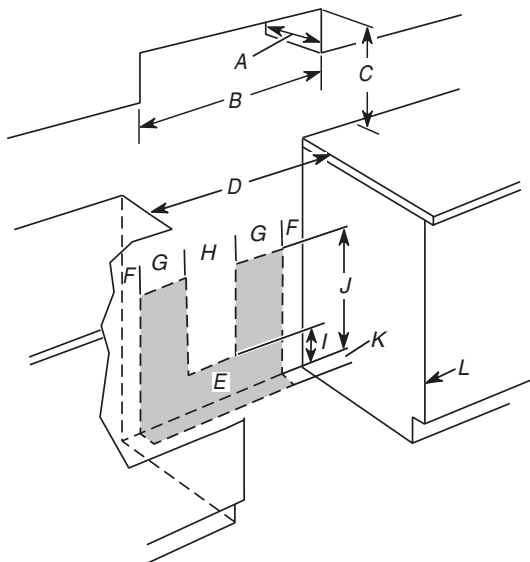


- A. 28 1/2" (72.4 cm) depth with handle to backguard standoff  
29" (73.7 cm) depth with handle (KitchenAid models only)
- B. 46 5/8" (118.4 cm) overall height (minimum)
- C. 35 5/8" (90.5 cm) cooktop height (minimum)
- D. 29 7/8" (75.9 cm) width
- E. 26 3/4" (67.9 cm) depth to backguard standoffs
- F. Model/serial rating plate (located on the left side frame behind storage drawer panel)

\*Range can be raised approximately 1" (2.5 cm) by adjusting the leveling legs.

\*\*When installed in a 24" (61.0 cm) base cabinet with 25" (63.5 cm) countertop; front of oven door protrudes 2 3/4" (7.0 cm) beyond 24" (61.0 cm) base cabinet.

## CABINET OPENING DIMENSIONS



Cabinet opening dimensions shown are for 25" (64.0 cm) countertop depth, 24" (61.0 cm) base cabinet depth and 36" (91.4 cm) countertop height.

**IMPORTANT:** If installing a range hood or microwave hood combination above the range, follow the range hood or microwave hood combination installation instructions for dimensional clearances above the cooktop surface.

- A. 13" (33.0 cm) upper cabinet depth
- B. 30" (76.2 cm) min. opening width
- C. For minimum clearance to the top of the cooktop, see NOTE\*.
- D. 30" (76.2 cm) min. opening width
- E. Junction box in shaded area.
- F. 3 1/4" (8.3 cm) for US, 3 3/4" (9.5 cm) for Canada
- G. 7" (14.6 cm)
- H. 9 1/2" (24.1 cm) for US, 8 1/2" (21.6 cm) for Canada
- I. 7" (14.6 cm)
- J. 22" (55.9 cm)
- K. 3" (7.6 cm)
- L. Cabinet door or hinge should not extend into the cutout.

**NOTE:** 24" (61.0 cm) minimum when bottom of wood or metal cabinet is protected by not less than 1/4" (0.64 cm) flame retardant millboard covered with not less than No. 28 MSG sheet steel, 0.015" (0.4 mm) stainless steel, 0.024" (0.6 mm) aluminum or 0.020" (0.5 mm) copper.

30" (76.2 cm) minimum clearance between the top of the cooking platform and the bottom of an unprotected wood or metal cabinet.