

# GSM2200V

## GE Spacemaker® Under-the-Sink Dishwasher

### Dimensions and Installation Information (in inches)

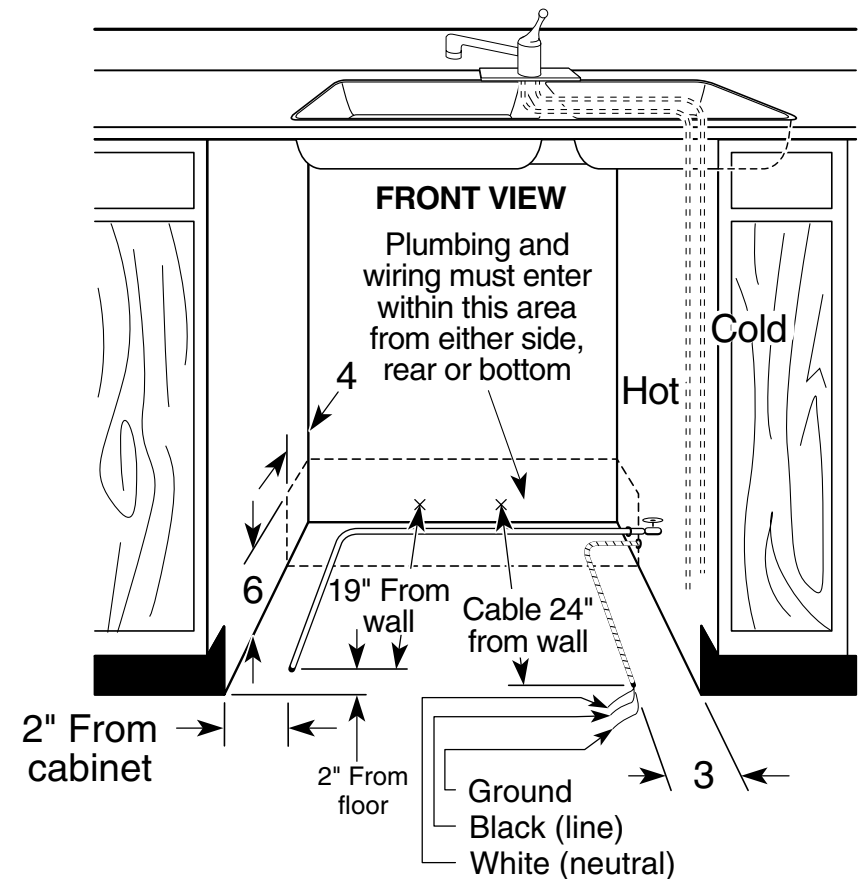
**Note:** Undersink dishwashers can be installed only under sinks and not under other appliances.

**Plumbing—Hot Water Only:** Use 3/8" O.D. copper tubing or 1/2" O.D. plastic tubing minimum inlet line. Water valve has 3/8" internal threads. Hand cut-off valve is recommended.

**Electrical:** Fuse circuit with 15 amp or 20 amp standard fuse or circuit breaker. Total amp load is 8.6. Dishwasher operates on 120V, 60HZ power, Two-wire cable (14 Ga. Min.) with ground must be installed.

**Specifications:** Inlet water temperature recommended—minimum 120°F at dishwasher. Inlet water pressure required—15 to 120 lbs./sq. inch.

**Note:** All rough-in, both plumbing and electrical, must be completed before the dishwasher is installed. All plumbing and electrical work must be in accordance with local codes.



For answers to your Monogram® Cafe™ Series, Profile™ Series or GE® appliance questions, visit our website at [geappliances.com](http://geappliances.com) or call GE Answer Center® service, 800.626.2000.



imagination at work



Specification Revised 10/13

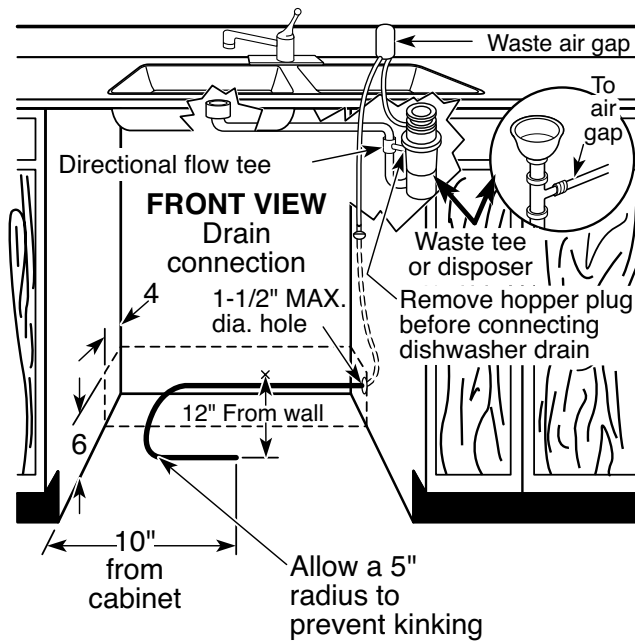
350518

# GSM2200V

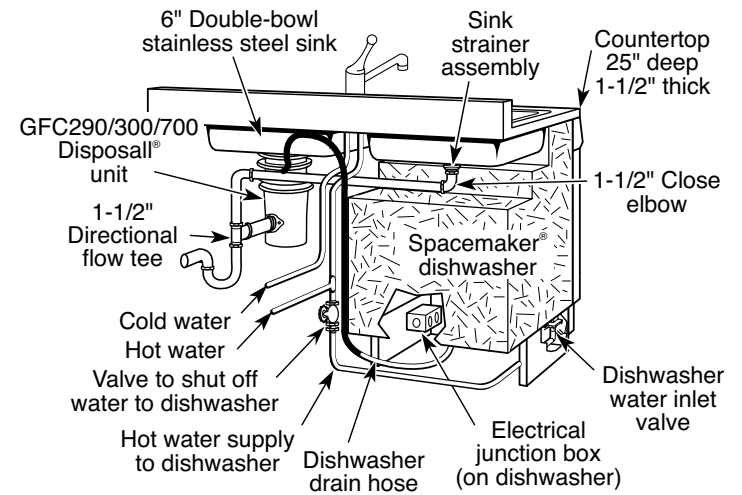
## GE Spacemaker® Under-the-Sink Dishwasher

**Note:** A close-fitting elbow or special shallow sink strainer is necessary to provide clearance between sink drain and dishwasher. Dishwasher furnished with 1/2" I.D. drain hose, 78" long. If using copper tubing, 2" length of 1/2" I.D. rubber hose must be provided to connect copper tubing to pump outlet. Disposer should have 7/8" I.D. dishwasher drain connector.

**Rough-In for Installation with Disposer Dimensions (in inches)**



**Rear View Plumbing Arrangement Dimensions (in inches)**



imagination at work



Listed by  
Underwriters  
Laboratories

# GSM2200V

## GE Spacemaker® Under-the-Sink Dishwasher

**Cabinet Rough-In Note:** Either single- or double-bowl sink may be used, centered or offset, as shown in the front view illustration.

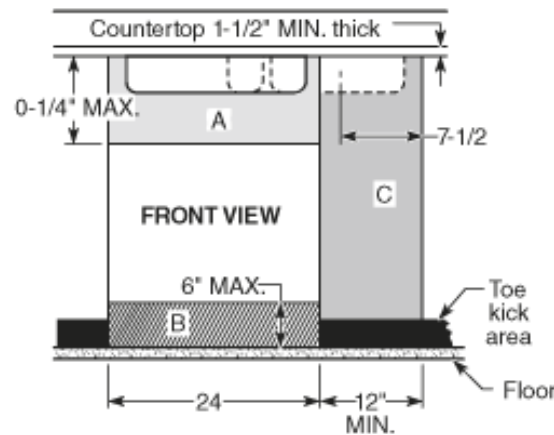
The 20-1/2" maximum dimension from wall to front of sink bowl must be accurate if dishwasher is to fit properly under sink. Water lines to sink faucet and drain from sink can be run through area "A."

HOT WATER line to dishwasher is installed in area "B."

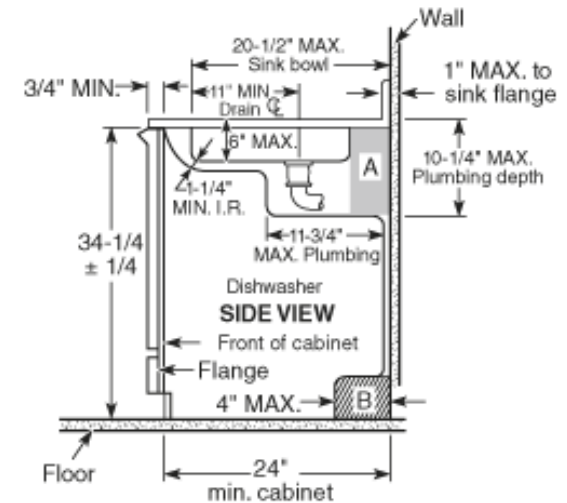
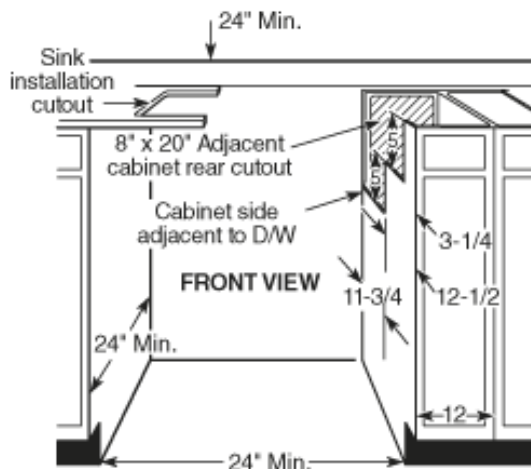
Garbage disposer, water lines to faucet, trap, waste air gap and water cutoff valve are installed in 12" wide cabinet shown in area "C." Sink opening for garbage disposer must be dimensioned as shown in front view, area "C" (7-1/2"). This will provide clearance for the disposer and plumbing in cabinet "C" when using double bowl sink.

If the sink bowl is more than 20-1/2" maximum specified distance from the wall, or if the base cabinet is less than the 24" minimum depth from the wall, a gap between the tub front flange and the front of the base cabinet may result.

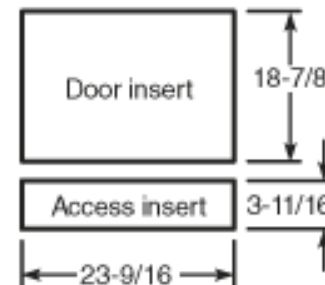
**Cabinet Rough-In Dimensions (in inches)**



**Cabinet Cut-Out for Sink Dimensions (in inches)**



**Undersink Dishwasher Wood Insert Dimensions (in inches)**



Inserts must not exceed 1/4" thickness within 5/16" of edge around full circumference.



imagination at work



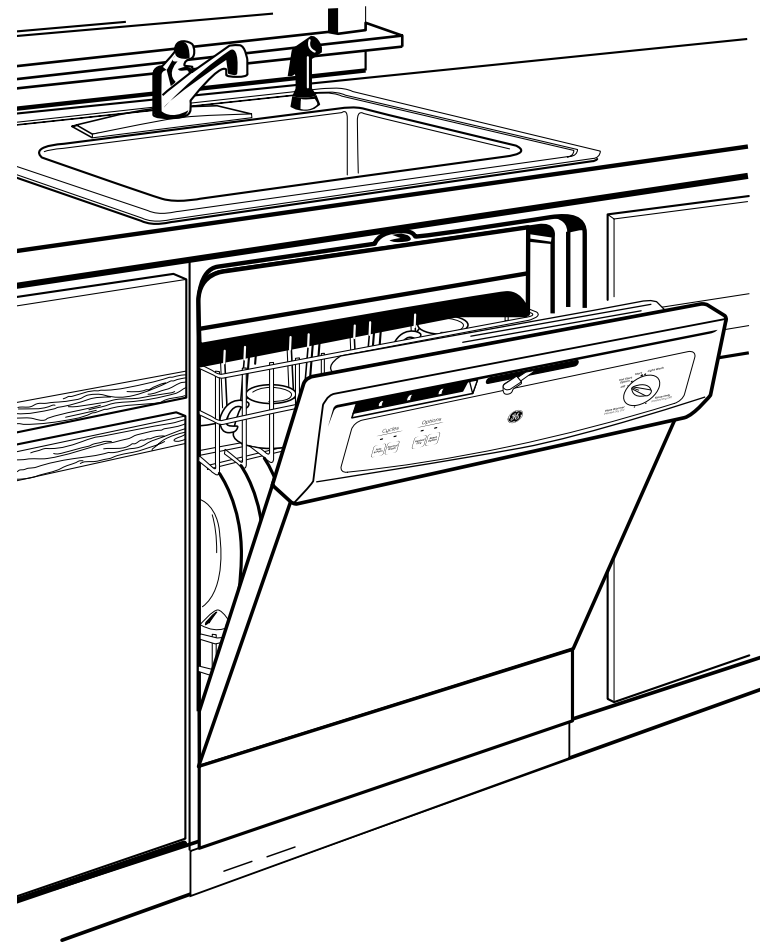
Listed by Underwriters Laboratories

# GSM2200V

## GE Spacemaker® Under-the-Sink Dishwasher

### Features and Benefits

- Spacemaker® upper rack - Maximizes space without losing cabinets
- Two-stage filtration with Extra Fine filter - Extra filtration keeps water clean
- Piranha™ hard-food disposer - Grinds food into small particles that are washed away
- Hot Start option - Provides optimal water temperature for dependable performance
- 64 dBA - motor runs quietly to keep kitchen peaceful
- Model GSM2200VWW - White on white
- Model GSM2200VCC - Bisque on bisque
- Model GSM2200VBB - Black on black



imagination at work