

Microwaves

FGMV176NT D/F/W/B

30" Over-The-Range



Product Dimensions

Height	16-13/32"
Width	29-7/8"
Depth	15-1/32"

More Easy-To-Use Features

Effortless™ Reheat

Reheat almost anything at the touch of a button.

Interior LED Lighting

LED interior microwave light stays on while your dish cooks.

SpaceWise® Rack

Our SpaceWise® Rack creates more room so you can cook multiple dishes at once.

One-Touch Options

Our microwaves feature easy-to-use one-touch buttons so you can cook baked potatoes, popcorn or even add 30 seconds with the touch of a button.

Smudge-Proof™ Stainless Steel¹

Resists fingerprints and cleans easily.

Extra-Large 13-1/2" Diameter Glass Turntable

Big bowls and large casserole dishes are no problem for our extra-large glass turntable. It rotates for even cooking.

Available in:



¹Select models only.

Signature Features



Effortless™ Clean Interior

Keep your microwave clean by easily wiping away grease, food, or oil from the Effortless™ Clean Interior Surface.



Sensor Cooking

Microwave automatically adjusts power levels and cooking times to cook a variety of items, effortlessly.



Cooktop LED Lighting

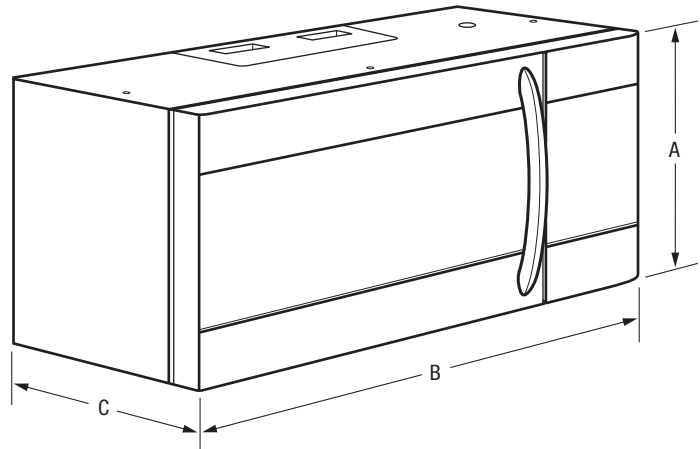
Make meal preparation and cooking simple with LED lighting that offers a clear, bright view of your cooktop.



Over 30 Options

Versatile settings include: Chicken nuggets and snacks.

Features	
Control/ Timing System	Express-Select®
Exterior Door Finish	Smudge-Proof™ Stainless Steel (D/F), Color-Coord.(W/B)
Handle Design	Smudge-Proof™ Stainless Steel (D/F), Color-Coord.(W/B)
Microwave Capacity (Cu.Ft.)	1.7
Convection	
Watts (IEC-705 Test Procedure)	1,000
Interior Light	LED
Interior Color	White
Turntable Diameter	13-1/2"
Turntable On/Off	Yes
Control Lock	Yes
Clock	Yes
Touch Pad Buttons	27
Power Levels	High (1-9)
Sound Level Options	4
Accessory Metal Rack	Yes (1)
Microwave Control Options	
Popcorn Button	Yes
Baked Potato Button	Yes
Sensor Reheat Button	Yes
Snack Button	Yes
Beverage	Yes
Melt & Soften Options	4
Auto Reheat Options	
Snack Menu Options	5
Auto Cook Options	10
Auto Defrost Options	3
Multi-Stage Cooking Option	
Keep Warm	
Add-30-Seconds	Yes
Sensor Cooking Options	Yes
Vegetable Cook Sensor	Yes
Quick Start	Yes (1-9)
Delay Start	
User Preferences	Yes
Power Save (No Clock Display)	Yes
Ventilation System	
Ducted/Ductless Installation Option	Yes
Exhaust Fan (CFM)	2-Speed 105 / 300
Cooktop Light	2 LED Cluster
Auto-Start Heat Sensor	Yes
Dishwasher-Safe Vent Filter (Ductless Installation)	Yes
Power Ratings	
Frequency (MHz)	2,450
Watts @ 120 Volts	1,000
Amps @ 120 Volts	14.2
Optional Accessories	
36" Stainless Steel Filler Panel Kit	PN# MWFILKTSS
36" Black Filler Panel Kit	PN# MWFILKTBK
36" White Filler Panel Kit	PN# MWFILKTWH
Charcoal Filter	Included
15" Bump-Out Kit	PN# 5304508807
Specifications	
Oven Interior (HxWxD)	9-7/16" x 20-15/16" x 14-13/32"
Power Supply Connection Location	Right Top Rear
Voltage Rating	120V / 60Hz / 15A
Connected Load (kW Rating) @ 120 Volts ¹	1.6
Minimum Circuit Required (Amps)	15
Shipping Weight (Approx.)	62 Lbs.



NOTE: For planning purposes only. Always consult local and national electric codes. Refer to Product Installation Guide for detailed installation instructions on the web at frigidaire.com.



Product Dimensions	
A - Height	16-13/32"
B - Width	29-7/8"
C - Depth	15-1/32"

Cutout Dimensions	
Height (Min. from floor to top of unit)	66"
Width (Min.)	30"
Depth (Min.)	12"
Depth (Max.)	13"

¹For use on adequately wired 120V, dedicated circuit having 2-wire service with a separate ground wire. Appliance must be grounded for safe operation.

Accessories information available on the web at frigidaire.com

FRIGIDAIRE

USA • 10200 David Taylor Drive • Charlotte, NC 28262 • 1-800-FRIGIDAIRE • frigidaire.com
CANADA • 5855 Terry Fox Way • Mississauga, ON L5V 3E4 • 1-800-265-8352 • frigidaire.ca

FGMV176NT 05/17

© 2017 Electrolux Home Products, Inc.

Specifications subject to change.

