



# Side-by-Side Refrigerators

FFSC2323L S/P/E

23 Cu. Ft. Counter-Depth



## Signature Features

### Adjustable Interior Storage

Over 100 ways to organize and customize your refrigerator.

### Sliding SpillSafe® Glass Shelves

Slide-out for easy access and are designed to keep spills contained, making them easy to clean.

### PureSource 3®

PureSource 3® Water Filtration gives you cleaner, better tasting water at your fingertips.

### Ready-Select® Controls

Easily select options with the touch of a button.

## Product Dimensions

Height (Including Hinges & Rollers)	69-7/8"
Width (Doors)	36"
Depth (Including Door)	27-1/8"

## More Easy-To-Use Features

### Counter-Depth Design

Counter-Depth refrigerators have a built-in look for a sleek style and take up less room in the kitchen than standard-depth refrigerators without losing usable shelf space.

### Bright Lighting

Our bright lighting makes it easy to see what's inside.

### Deli Drawer

Keeps sandwich meats and cheeses organized in a convenient location.

### Control Lock Option

### Filter Change Alert

### Attractive Stainless Steel Exterior<sup>1</sup>

### Store-More™ Humidity-Controlled Crisper Drawers

Keep your fruits and vegetables fresh in our humidity-controlled crisper drawers.

### Store-More™ Gallon Door Bins

Door storage gives you room for larger items — like a gallon of milk.

### Full-Width Freezer Shelf

Gives you more usable space to organize and store more.

### A.D.A. Compliant

When properly installed, this model is A.D.A.-qualified based on the United States Access Board's A.D.A./A.B.A. Accessibility Guidelines and the Department of Justice's 2010 A.D.A. Standards for Accessible Design.



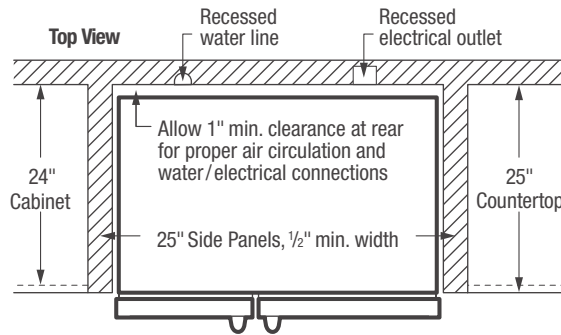
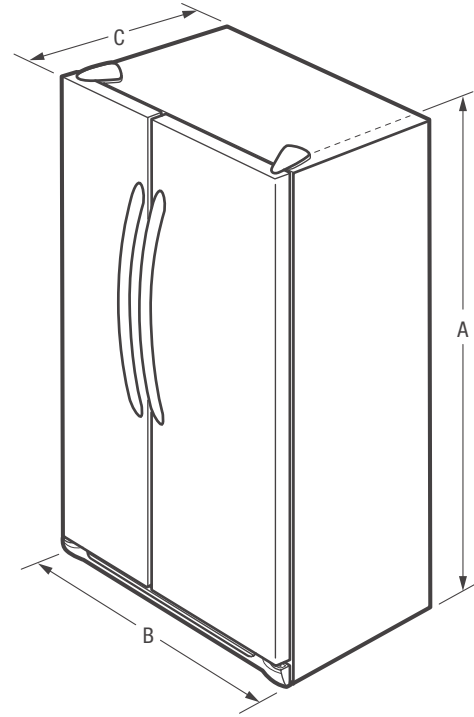
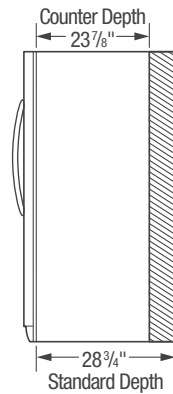
### Available in:



<sup>1</sup>Select models only.

Features	
Door Design	UltraSoft™
Door Handle Design	Stainless Steel (S), Color-Coordinated (P/E)
Cabinet Finish	Black (S), Color-Coordinated (P/E)
Door Stops/Door Closers	Yes/Yes
Door Hinge Covers	Hidden
Rollers - Front/Rear	Adjustable/Yes
Energy Saver Plus Technology	Yes
Water Filter Location	Top Right Rear
Sound Package	Quiet Pack
Dispenser	
Controls	Ready-Select®
Dispenser Design	Tall, Single Paddle
Number of Dispenser Buttons	7
Crushed Ice/Cube Ice/Chilled Water	Yes/Yes/Yes
Ice Option/Freeze Option	
Display On/Off Option	Yes
Control Lock / Light	Yes/Yes
Temp/Door Ajar/Power Failure Alerts	
Water Filter Change Indicator Light	Yes
Air Filter Change Indicator Light	
Refrigerator Features	
Interior Lighting	Bright
Water Filter Type	PureSource 3*
Air Filter Type	
Fixed Shelves	
Sliding Shelves	3 SpillSafe®
Cool Zone™ Drawer	1 Stacked
Wine/Can Rack	No/1 White
Upper Crisper / Lower Crisper	1 Clear / 1 Clear
Humidity Controls	1
Dairy Compartment	1 Clear
Fixed Door Bins	1 One-Gallon White
Adjustable Door Bins	2 Two-Liter White
Non-Slip Bin Liner / Bottle Retainers	
Condiment Bin	1 White
Freezer Features	
Door Bins/Tilt-Out Wire Door Bins	4 White/No
Fixed Shelves	3 Wire
Full Extension Baskets	
Full Freezer Baskets	1 Wire
Half Freezer Baskets	
Ice Cream Shelf/Pizza Shelf	Yes/No
SpaceSaver™ Shelf	Yes
Lighting	
Certifications	
A.D.A. Compliant <sup>1</sup>	Yes
Specifications	
Total Capacity (Cu. Ft.)	22.7
Refrigerator Capacity (Cu. Ft.)	14.08
Freezer Capacity (Cu. Ft.)	8.58
Power Supply Connection Location	Right Bottom Rear
Water Inlet Connection Location	Left Bottom Rear
Voltage Rating	120V / 60Hz / 15 or 20A
Connected Load (kW Rating) @ 120 Volts <sup>2</sup>	1.02
Amps @ 120 Volts	8.5 Amps
Minimum Circuit Required (Amps)	15
Shipping Weight (Approx.)	325 Lbs.

**Standard Refrigerator Depth vs. Counter Depth**



**NOTE:** For planning purposes only. Always consult local and national electric and plumbing codes. Refer to Product Installation Guide for detailed installation instructions on the web at [frigidaire.com](http://frigidaire.com).



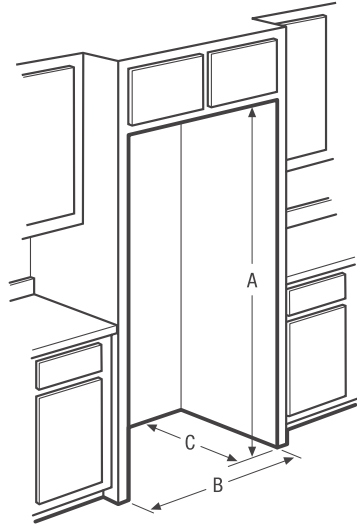
Product Dimensions	
A - Height (Incl. Hinges & Rollers)	69-7/8"
B - Cabinet Width/Door Width	35-7/8" / 36"
C - Depth (Incl. Door)	27-1/8"
Depth with Door Open 90°	45-1/2"

"Built-In Look" Cutout Dimensions	
Height (Incl. Hinges & Rollers)	70-1/4"
Width	36"
Depth	25"

<sup>1</sup>When properly installed, this model is A.D.A. - qualified based on the United States Access Board's A.D.A./A.B.A. Accessibility Guidelines and the Department of Justice's 2010 A.D.A. Standards for Accessible Design.

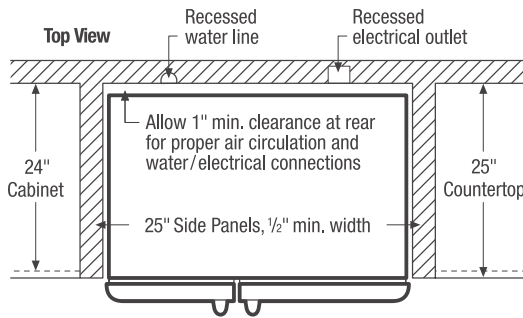
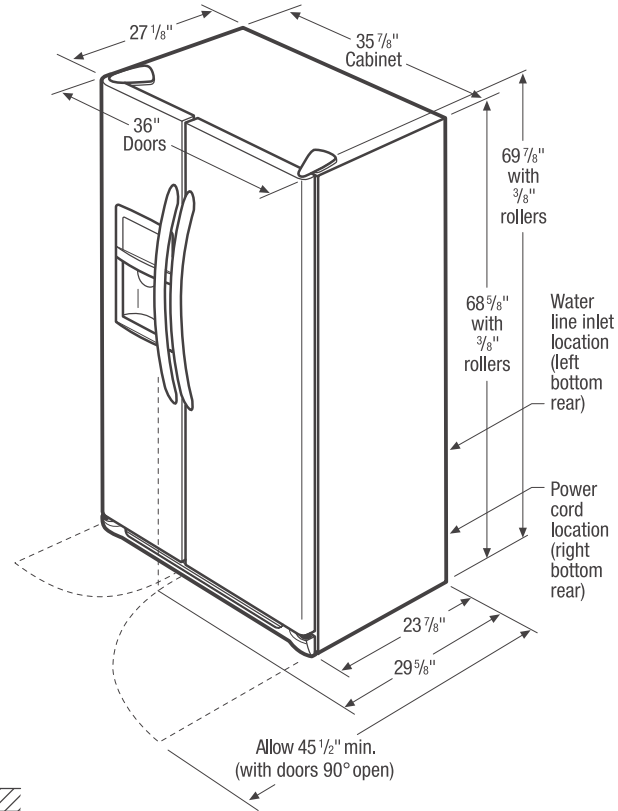
<sup>2</sup>For use on adequately wired 120V, dedicated circuit having 2-wire service with a separate ground wire. Appliance must be grounded for safe operation.

Accessories information available on the web at [frigidaire.com](http://frigidaire.com)



**“Built-In Look”  
Cutout Dimensions**

(A) 70 1/4" (B) 36" (C) 25"



**Side-by-Side Refrigerator Specifications**

- Product Shipping Weight (approx.) - 325 Lbs.
- Voltage Rating - 120V/60 Hz/15 or 20 Amps
- Connected Load (kW Rating) @ 120 Volts = 1.02 kW (For use on adequately wired 120V, dedicated circuit having 2-wire service with a separate ground wire. Appliance must be grounded for safe operation.)
- Amps @ 120 Volts = 8.5 Amps
- Always consult local and national electric & plumbing codes.
- Floor should be level surface of hard material, capable of supporting fully loaded refrigerator.
- When installing refrigerator adjacent to wall, cabinet or other appliance that extends beyond front edge of unit, 20" minimum clearance recommended to allow for optimum 120° to 180° door swing, providing complete drawer/crisper access and removal. (*Absolute 4-1/2" minimum clearance will ONLY allow for 90° door swing which will provide drawer/crisper access with restricted removal.*)
- To ensure optimum performance, avoid installing in direct sunlight or close proximity to range, dishwasher or other heat source.
- For proper ventilation, front grille MUST remain unobstructed.

- Recess electrical outlet when possible.
- Water recess on rear wall recommended to prevent water line damage.
- Water Pressure - Cold water line must provide between 30 and 100 pounds per square inch (psi).
- Copper tubing with 1/4" O.D. recommended for water supply line with length equal to distance from rear of unit to household water supply line plus 7 additional feet. Optional Water Supply Installation Kits available.
- Adjustable front rollers to assist with door alignment.

**“Built-In Look” Specifications**

- Minimum opening of 70-1/4" H x 36" W x 25" D required to allow for ease of installation, proper air circulation, and plumbing/electrical connections.
- Remove all wall/floor molding prior to installation.

**Note:** For planning purposes only. Refer to Product Installation Guide on the web at [frigidaire.com](http://frigidaire.com) for detailed instructions.

Use these dimensions and clearance instructions for planning purposes only. For detailed installation instructions, refer to installation guide, packed with product, or on the web at [frigidaire.com](http://frigidaire.com).



\*When installing side-by-side refrigerator adjacent to wall, cabinet or another appliance that extends beyond front edge of unit, 20" minimum clearance recommended to allow for optimum 120° to 180° door swing, providing complete drawer/crisper access and removal. (Absolute 4-1/2" minimum clearance will ONLY allow for 90° door swing which will provide limited drawer/crisper access with restricted removal.)

When installing appliance with sliding drawer, swinging or drop-down door directly across from obstructions, provide sufficient clearance for drawer extension or door swings.

