



Freestanding Ranges

FFGF3005M W/Q

30" Gas



Product Dimensions

| | |
|--------------------------|---------|
| Height (Max.) | 47-1/2" |
| Width | 29-7/8" |
| Depth (Including Handle) | 28-1/2" |

More Easy-To-Use Features

Manual Clean Oven

Black Steel Grates

Electronic Ignition

Lift-Up Porcelain Cooktop

Towel-Bar Handle

2 Oven Racks

LP Gas Conversion Option

A.D.A. Compliant¹

Available in:



White
(W)



Bisque
(Q)

Signature Features

Even Baking Technology

Our latest technology ensures even baking every time.

Color-Coordinated Oven Door with Large Window

Stylish look with a large window makes it easy to check on what's cooking without opening the door.

Bright Lighting

Our bright lighting makes it easy to see what's inside.

Broil and Serve™ Drawer

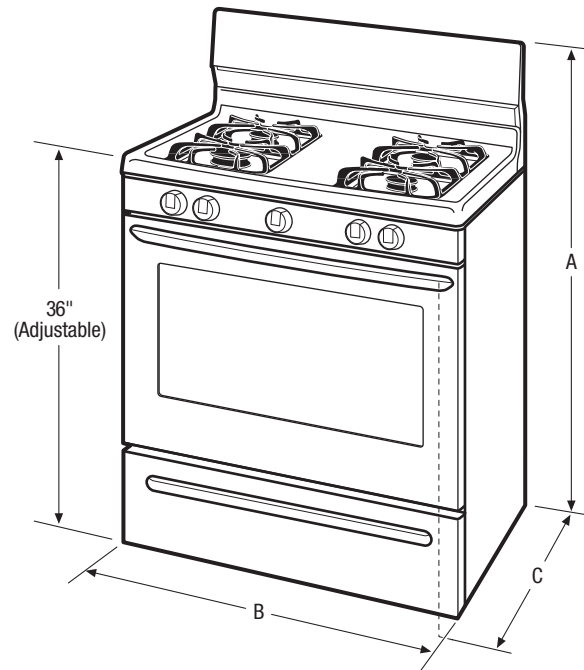
| Burners | BTU |
|-------------|-------|
| Right Front | 9,000 |
| Right Rear | 9,000 |
| Left Front | 9,000 |
| Left Rear | 9,000 |

¹When properly installed, meets the appliance standards in the Americans with Disabilities Act and the Architectural Barriers Act Accessibility Guidelines as published by the United States Access Board on June 23, 2004, as amended August 5, 2005.

| Features | |
|---|-----------------------------|
| Oven Control/Timing System | Mechanical/No |
| Surface Type | Color-Coordinated Porcelain |
| Sealed Gas Burners | |
| Grates | Black Square Steel |
| Window | Large |
| Exterior Door Finish | Color-Coordinated |
| Handle Design | Color-Coordinated |
| Exterior Finish (Side Panels) | Color-Coordinated |
| Convection System | |
| Oven Cleaning System | Manual Clean |
| Drawer Functionality | Broil |
| Oven Controls | |
| Bake | Yes |
| Broil | Yes |
| Add-a-Minute | |
| Delay Bake | |
| Self-Clean | |
| Quick Clean Option | |
| Delay Clean | |
| Kitchen Timer | |
| Timed Cook Option | |
| Auto Oven Shut-Off | |
| Cooktop Features | |
| Right Front Burner (BTU) | 9,000 |
| Right Rear Burner (BTU) | 9,000 |
| Left Front Burner (BTU) | 9,000 |
| Left Rear Burner (BTU) | 9,000 |
| Center Extra Zone Burner (BTU) | |
| Oven Features | |
| Capacity (Cu. Ft.) | 4.2 |
| Oven Light | 1 |
| Rack Configuration | 2 Standard |
| Even Baking System | Yes |
| Broiling System | Standard |
| Bake Burner/Broil Burner (BTU) | 18,000/14,000 |
| Optional Accessories | |
| LP Gas Conversion Kit | PN # GRLP3 |
| Certifications | |
| A.D.A. Compliant ¹ | Yes |
| Specifications | |
| Oven Interior (H x W x D) | 15-7/8" x 23" x 19-3/16" |
| Power Supply Connection Location | Left Bottom Rear |
| Gas Supply Connection Location | Right Bottom Rear |
| Voltage Rating | 120V / 60Hz / 15A |
| Connected Load (kW Rating) @ 120 Volts ² | 1.8 |
| Amps @ 120 Volts | 15 |
| Shipping Weight (Approx.) | 157 Lbs. |

¹When properly installed, meets the appliance standards in the Americans with Disabilities Act and the Architectural Barriers Act Accessibility Guidelines as published by the United States Access Board on June 23, 2004, as amended August 5, 2005.

²For use on adequately wired 120V, dedicated circuit having 2-wire service with a separate ground wire. Appliance must be grounded for safe operation.



NOTE: For planning purposes only. Always consult local and national electric and gas codes. Refer to Product Installation Guide for detailed installation instructions on the web at frigidaire.com.



| Product Dimensions | |
|------------------------------|---------|
| A - Height (Max.) | 47-1/2" |
| B - Width | 29-7/8" |
| C - Depth (Including Handle) | 28-1/2" |
| Depth with Door Open 90° | 46-5/8" |

| Cutout Dimensions | |
|-------------------|-----|
| Height (Standard) | 36" |
| Width (Min.) | 30" |
| Depth (Min.) | 24" |

Accessories information available on the web at frigidaire.com

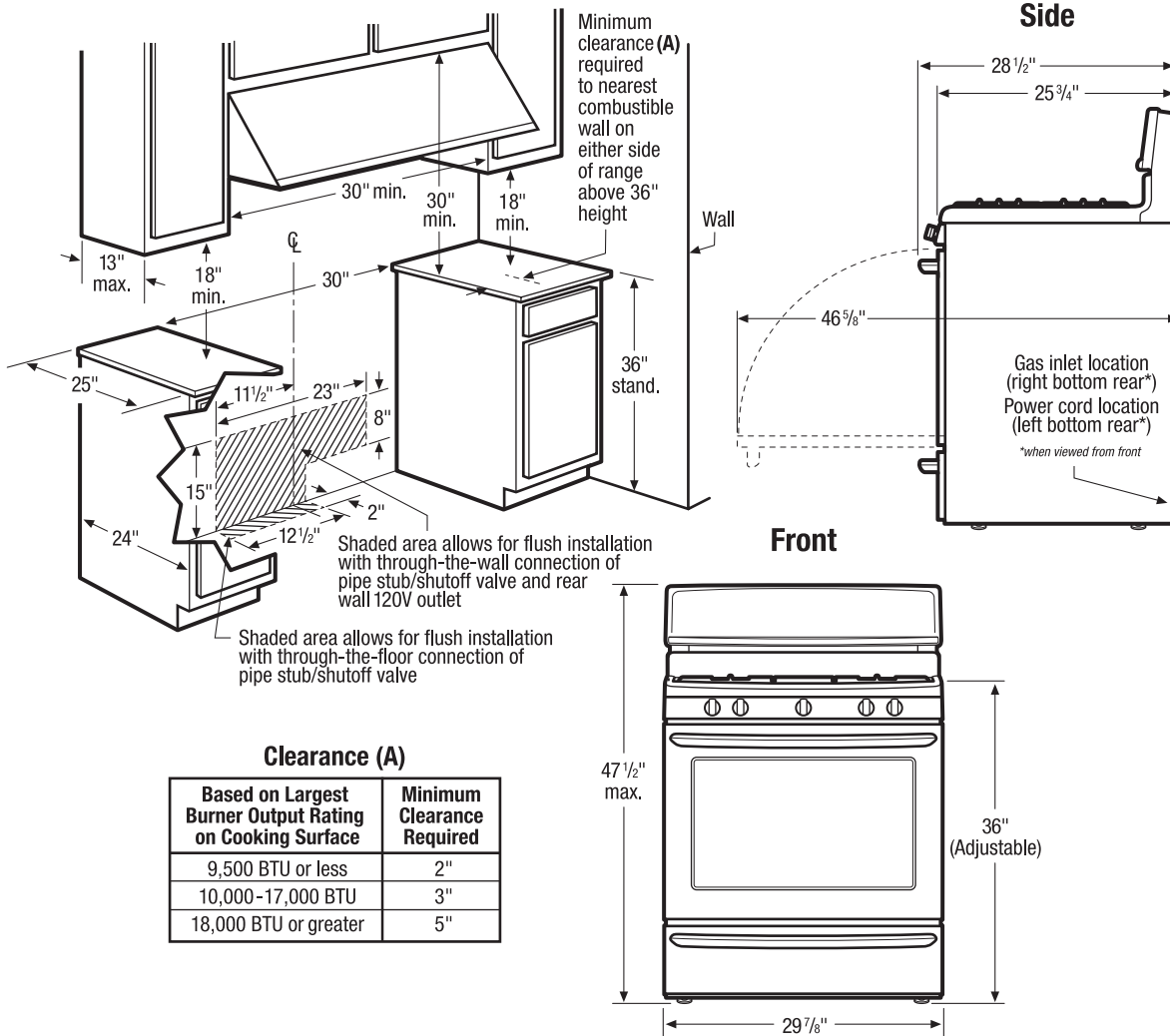
FRIGIDAIRE

USA • 10200 David Taylor Drive • Charlotte, NC 28262 • 1-800-FRIGIDAIRE • frigidaire.com
 CANADA • 5855 Terry Fox Way • Mississauga, ON L5V 3E4 • 1-800-265-8352 • frigidaire.ca

FFGF3005M 10/11

© 2011 Electrolux Home Products, Inc.

Specifications subject to change.



Freestanding Range Specifications

- Product Shipping Weight (approx.) - 157 Lbs.
- Voltage Rating - 120V / 60 Hz / 15 Amps
- Connected Load (kW Rating) @ 120 Volts = 1.8kW (For use on adequately wired 120V, dedicated circuit having 2-wire service with a separate ground wire. Appliance must be grounded for safe operation.)
- Amps @ 120 Volts = 15 Amps
- Always consult local and national electric and gas codes.
- Make sure wall coverings around range can withstand heat generated by range.
- Linoleum or any other synthetic floor covering located beneath range, must be capable of withstanding minimum heat of 90° F above room temperature without shrinking, warping or discoloring. Insulating pad or 1/4"-thick plywood required between range and a carpeted floor.
- Do not obstruct flow of combustion air at oven vent nor around base or beneath lower front panel of range. Range requires fresh air for proper burner combustion.
- Do not install range beneath any downward-blowing, overhead vent hood or air curtain.
- Range ships with 3/4" factory regulator.
- Range is LP Gas convertible. (Optional LP Gas Conversion Kit available.)

- Floor beneath range MUST be solid and level.
- Overhead cabinetry should not exceed a 13" maximum depth.
- Absolute minimum horizontal distance between overhead cabinets installed to either side of appliance must be no less than maximum width of appliance.
- Range can be installed flush to wall with 0" minimum rear clearance.
- Minimum clearance required (from edge of rangetop to nearest combustible wall on either side of range above 36" height) is based on largest burner output rating on cooking surface.
- To reduce risk of fire when using overhead cabinetry, install range hood that projects horizontally a recommended minimum of 5" beyond bottom of cabinets.
- Follow all dimension requirements provided to prevent property damage, potential fire hazard, and incorrect countertop and cabinet cuts.

Note: For planning purposes only. Refer to Product Installation Guide on the web at frigidaire.com for detailed instructions.

Optional Accessories

- LP Gas Conversion Kit - (PN# GRLP3)



Use these dimensions and clearance instructions for planning purposes only. For detailed installation instructions, refer to installation guide, packed with product, or on the web at frigidaire.com.



When installing appliances adjacent to each other, 20" minimum distance between each appliance required.

When installing built-in cooking appliances in combination, 2" minimum visible gap between appliance faceplates required.



When installing side-by-side refrigerator adjacent to wall, cabinet or another appliance that extends beyond front edge of unit, 20" minimum clearance recommended to allow for optimum 120° to 180° door swing, providing complete drawer/crisper access and removal.

When installing appliance with sliding drawer, swinging or drop-down door directly across from obstructions, provide sufficient clearance for drawer extension or door swings.



When installing appliance with sliding drawer or drop-down door directly across from obstructions, provide sufficient clearance for drawer extension or door swing.

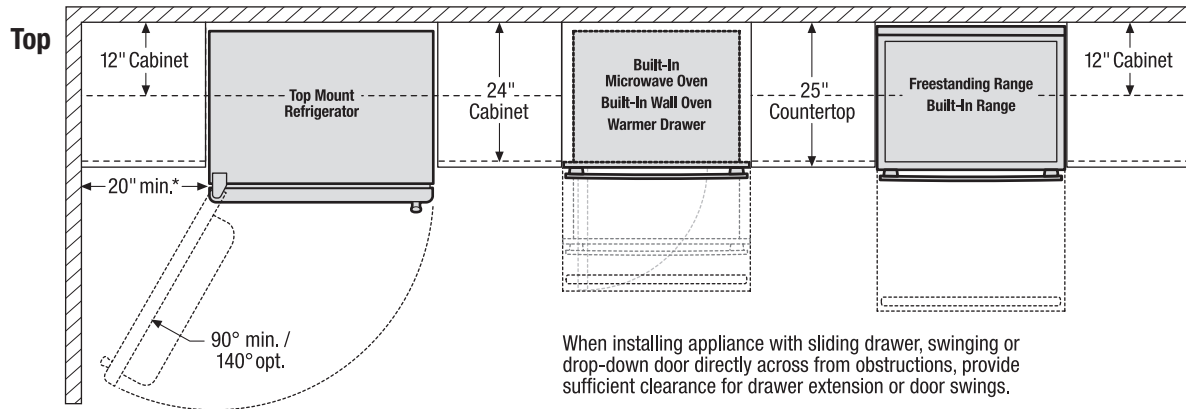
When installing appliance with sliding drawer or drop-down door adjacent to wall, cabinet, or other obstruction that extends beyond front edge of appliance, allow 2" minimum clearance between drawer or door and obstruction.

Use these dimensions and clearance instructions for planning purposes only. For detailed installation instructions, refer to installation guide, packed with product, or on the web at frigidaire.com.



When installing appliances adjacent to each other, 20" minimum distance between each appliance required.

When installing built-in cooking appliances in combination, 2" minimum visible gap between appliance faceplates required.



When installing appliance with sliding drawer, swinging or drop-down door directly across from obstructions, provide sufficient clearance for drawer extension or door swings.

*When installing refrigerator adjacent to wall, cabinet or other appliance that extends beyond front edge of unit, 20" minimum clearance recommended to allow for optimum 140° door swing, providing complete crisper access and removal. (Absolute 3" minimum clearance will ONLY allow for 90° door swing which will provide limited crisper access with restricted removal.)



When installing appliance with sliding drawer or drop-down door directly across from obstructions, provide sufficient clearance for drawer extension or door swing.

