

Freestanding Ranges

FFEF3056T D/S/W/B

30" Electric



Product Dimensions

Height (Max.)	47"
Width	29-7/8"
Depth (Including Handle)	29-1/4"

More Easy-To-Use Features

Extra-Large Element

With our extra-large 12" element, you have more flexibility to fit larger pots and pans.

Even Baking Technology

Our even baking technology ensures even baking every time.

SpaceWise® Expandable Elements

Flexible elements expand to meet your cooking needs — big or small.

Extra-Large Window

Check on the status of your dish without having to open the oven door.

Store-More™ Storage Drawer

With the Store-More™ Storage Drawer, you will have extra space to store your cookware.

Large Capacity

Our large capacity oven gives you room to cook more dishes at once.

Built with American Pride

Designed, engineered and assembled in the U.S.A.

Available in:



Signature Features

Quick Bake Convection

Bake faster and more evenly with Quick Bake Convection.

One-Touch Self Clean

Your oven cleans itself — so you don't have to. Self clean options available in 2- and 3-hour cycles.

Quick Boil

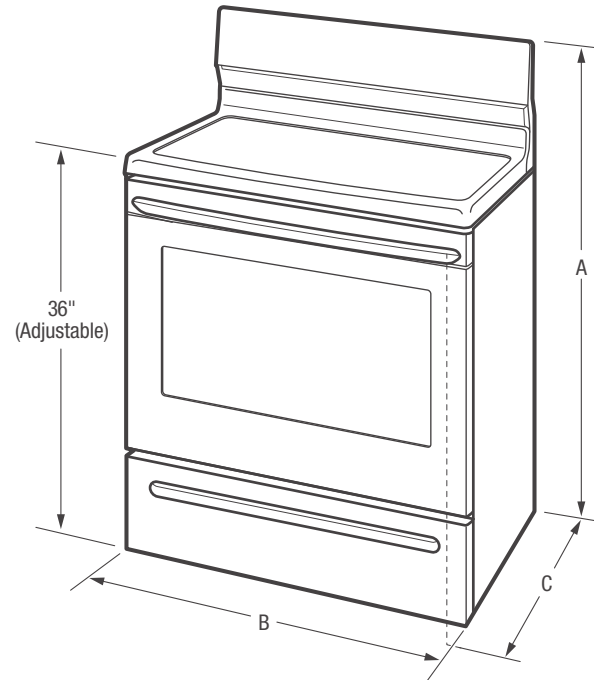
Get meals on the table faster with our 3,000W element — water boils faster than the traditional setting.

Keep Warm Zone

Keep food warm until everything — and everyone — is ready.

Elements	Size	Watts
Right Front	9"/12" Expandable	1,800 / 3,000
Right Rear	6"	1,200
Left Front	6"/9" Expandable	1,400 / 3,000
Left Rear	6"	1,200
Center	Keep Warm Zone	100

Features	
Oven Control/Timing System	Ready-Select® Controls
Surface Type	Black Ceramic Glass
Window	Extra-Large
Exterior Door Finish	Black Stainless (D), Stainless (S) Color-Coordinated (W/B)
Handle Design	Black Stainless (D), Stainless (S) Color-Coordinated (W/B)
Exterior Finish (Side Panels)	Black (D/S), Color-Coordinated (W/B)
Convection System	Quick Bake Convection
Oven Cleaning System	Self Clean
Drawer Functionality	Storage
Oven Controls	
Bake	Yes
Broil	Variable (High/Low)
Quick Bake Convection	Yes
Add-a-Minute	
Delay Start	
Self-Clean	2, 3 Hour
Quick Clean Option	Yes
Delay Clean	Yes
Kitchen Timer	Yes
Timed Cook Option	Yes
Auto Oven Shut-Off	12 Hours
Oven Lock-Out	Yes
Cooktop Features	
Right Front Element (Watts)	SpaceWise® Expandable 9"/12" - 1,800/3,000
Right Rear Element (Watts)	6" - 1,200
Left Front Element (Watts)	SpaceWise® Expandable 6"/9" - 1,400/3,000
Left Rear Element (Watts)	6" - 1,200
Center Element (Watts)	Keep Warm Zone - 100
Hot Surface Indicator Light	Yes
Element "On" Indicator Light	Yes
Coil Cooktop/Drip Bowls	
Oven Features	
Capacity (Cu. Ft.)	5.4
Oven Light	1
Hidden Bake Element	Yes
Rack Configuration	2 Standard
Baking System	Even Baking Technology
Broiling System	Vari-Broil™ Hi/Lo
Bake Element/Broil Element (Watts)	3,500/3,600
Specifications	
Oven Interior (H x W x D)	19-3/4" x 24-3/8" x 19-1/8"
Power Supply Connection Location	Middle Bottom Rear
Voltage Rating	240V/208V/60Hz
Connected Load (kW Rating) @ 240/208 Volts	13.5/10.5
Minimum Circuit Required (Amps)	40
Shipping Weight (Approx.)	170 Lbs.



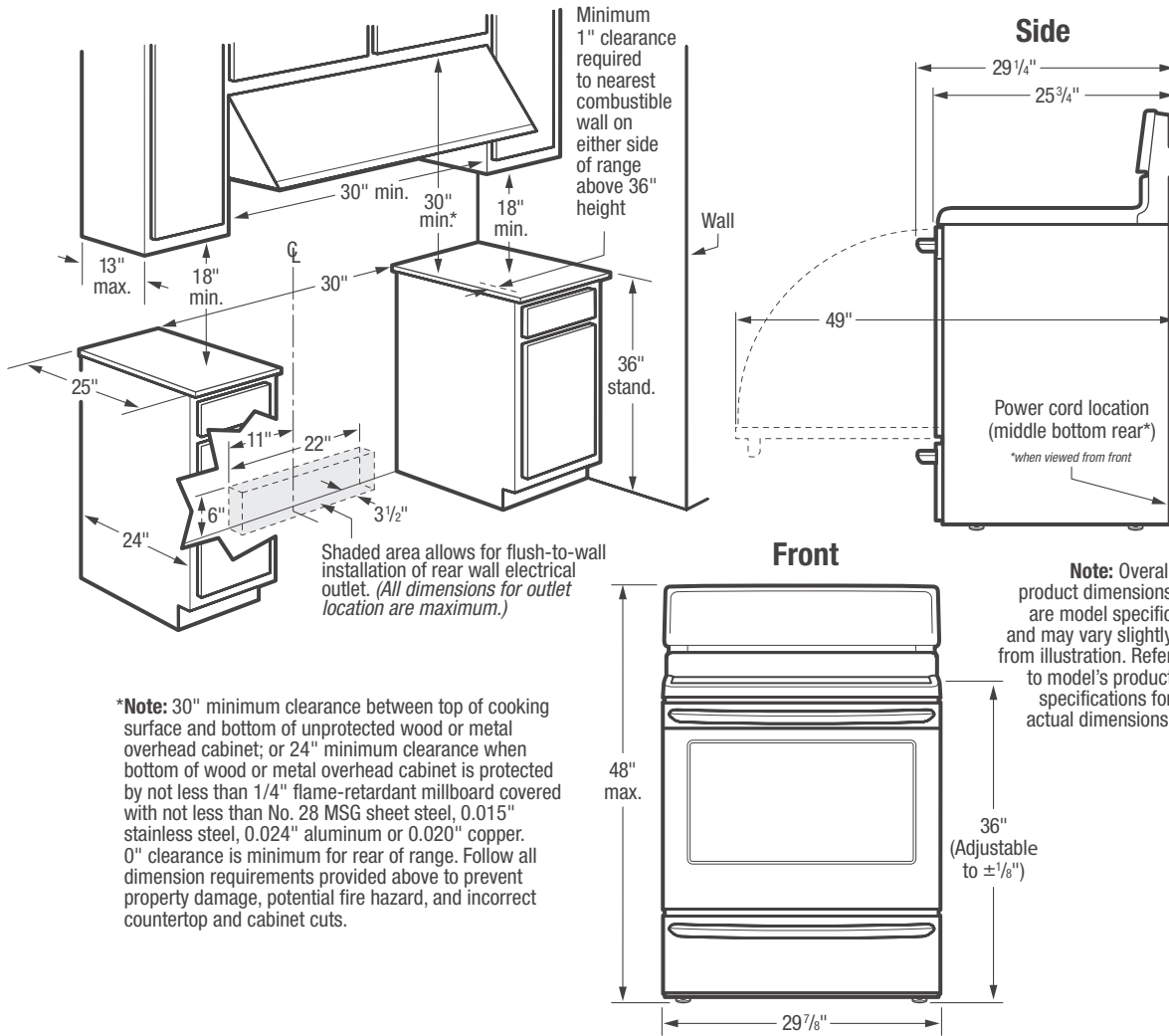
NOTE: For planning purposes only. Always consult local and national electric codes. Refer to Product Installation Guide for detailed installation instructions on the web at frigidaire.com.



Product Dimensions	
A - Height (max.)	47"
B - Width	29-7/8"
C - Depth (Including Handle)	29-1/4"
Depth with Door Open 90°	49"

Cutout Dimensions	
Height (standard)	36"
Width (min.)	30"
Depth (min.)	24"

Accessories information available on the web at frigidaire.com



Freestanding Range Specifications

- Product Shipping Weight (approx.) - 170 Lbs.
- Single phase 3- or 4-wire cable, 120/240 or 120/208 Volt, 60 Hertz, fused on both sides of line with ground.
- Connected Load (kW Rating) @ 240/208 Volts = 13.5/10.5kW
- Recommended Circuit Breaker - 40 Amps
- Always consult local and national electric codes.
- Make sure wall coverings around range can withstand heat generated by range.
- Floor beneath range MUST be solid and level.
- Overhead cabinetry should not exceed a 13" maximum depth.
- Absolute minimum horizontal distance between overhead cabinets installed to either side of appliance must be no less than maximum width of appliance.
- Range can be installed flush to wall with 0" minimum rear clearance.
- Minimum 1" clearance required from edge of rangetop to nearest combustible wall on either side of range above 36" height.

- Allow 30" minimum clearance between top of cooking surface and bottom of unprotected wood or metal overhead cabinet; or 24" minimum clearance when bottom of wood or metal overhead cabinet is protected by not less than 1/4" flame retardant millboard covered with not less than No. 28 MSG sheet steel, 0.015" stainless steel, 0.024" aluminum or 0.020" copper.
- To reduce risk of fire when using overhead cabinetry, install range hood that projects horizontally a recommended minimum of 5" beyond bottom of cabinets.
- Follow all dimension requirements provided to prevent property damage, potential fire hazard, and incorrect countertop and cabinet cuts.

Note: For planning purposes only. Refer to Product Installation Guide on the web at frigidaire.com for detailed instructions.

