

# FRIGIDAIRE GALLERY®

## DGHX2655TF

### SIDE-BY-SIDE REFRIGERATOR

25.5 CU. FT. STANDARD-DEPTH

Smudge-Proof™  
Stainless Steel



AVAILABLE  
COLORS



#### PRODUCT DIMENSIONS

Height (Including Hinges & Rollers)	69-7/8"
Width (Doors)	36"
Depth (Including Door)	33-3/8"

#### MORE EASY-TO-USE FEATURES

**Smudge-Proof™ Stainless Steel**  
Resists fingerprints and cleans easily.

#### PureSource Ultra® II Ice & Water Filtration

Discover how our genuine filtration works to keep your water cleaner. PureSource Ultra® II Water Filters remove 99.3% of lead and 99.9% of cysts from your household water.

#### PureAir Ultra® Filters

Keeps the air cleaner and fresher.

#### Store-More™ Humidity-Controlled Crisper Drawers

Keep your fruits and vegetables fresh in our humidity-controlled crisper drawers.

#### Store-More™ Gallon Door Bins

Door storage gives you room for larger items — like a gallon of milk.

#### Store-More™ Glass Shelves with Metallic Trim

More space to store your food with edge-to-edge shelves.

#### Multi-Level LED Lighting

Corner-to-corner LED lighting throughout the refrigerator for better visibility.

#### Quick Ice & Quick Freeze

#### SIGNATURE FEATURES



#### PureAir® Freshness Booster™

Keep that fresh-from-the-garden taste. Produce stays fresher longer with the PureAir® Freshness Booster™.



#### Chill Drawer

Cold air from the freezer is used to quickly cool food and drinks. Includes temperature control settings.



#### Store-More™ Freezer Capacity

Improved design gives you more usable freezer capacity than ever before.



#### Adjustable Interior Storage

Over 100 ways to organize and customize your refrigerator. Details vary by model.

#### CERTIFICATIONS

##### A.D.A.- Compliant

When properly installed, this model is A.D.A.-qualified based on the United States Access Board's A.D.A./A.B.A. Accessibility Guidelines and the Department of Justice's 2010 A.D.A. Standards for Accessible Design.



##### ENERGY STAR®



##### Star-K® Certified (Sabbath Mode)

# DGHX2655TF SIDE-BY-SIDE REFRIGERATOR

25.5 CU. FT. STANDARD-DEPTH

FRIGIDAIRE  
GALLERY

## FEATURES

Door Design	Tall Curved
Door Handle Design	Stainless Steel
Cabinet Finish	Grey
Door Stops/Door Closers	Yes/Yes
Door Hinge Covers	Hidden
Rollers - Front/Rear	Adjustable/Yes
Energy Saver Plus Technology	
Water Filter Location	Top Right Rear
Sound Package	

## DISPENSER

Controls	Express-Select®
Dispenser Design	Flush, Single Paddle
Number of Dispenser Buttons	11
Crushed Ice/Cube Ice/Water	Yes/Yes/Yes
Ice Option	Quick Ice
Freeze Option	Quick Freeze
Display On/Off Option	Yes
Control Lock/Light	Yes/Yes
Temp/Door Ajar/Power Failure Alerts	Yes/Yes/Yes
Water Filter Change Indicator Light	Yes
Air Filter Change Indicator Light	Yes

## REFRIGERATOR FEATURES

Interior Lighting	Designer LED
Water Filter Type	PureSource Ultra® II
Air Filter Type	PureAir Ultra®
Fixed Shelves	3 Store-More™
Sliding Shelves	
Chill Drawer	1 Stacked
Wine/Can Rack	
Upper Crisper/Lower Crisper	1 Clear/1 Clear
Humidity Controls	2
Dairy Compartment	1 Clear
Door Bins	2 One-Gallon Clear & 2 Two-Liter Clear
Non-Slip Bin Liner/Bottle Retainers	
Condiment Bin	

## FREEZER FEATURES

Door Bins/Tilt-Out Wire Door Bins	4 Clear/No
Fixed Shelves	2 Glass
Full Extension Baskets	
Full Freezer Baskets	2 White Plastic
Half Freezer Baskets	
Ice Cream Shelf/Pizza Shelf	Yes/Yes
SpaceSaver™ Shelf	
Lighting	LED

## CERTIFICATIONS

A.D.A. Compliant <sup>1</sup>	Yes
ENERGY STAR®	Yes
Star-K® Certified (Sabbath Mode)	Yes

## SPECIFICATIONS

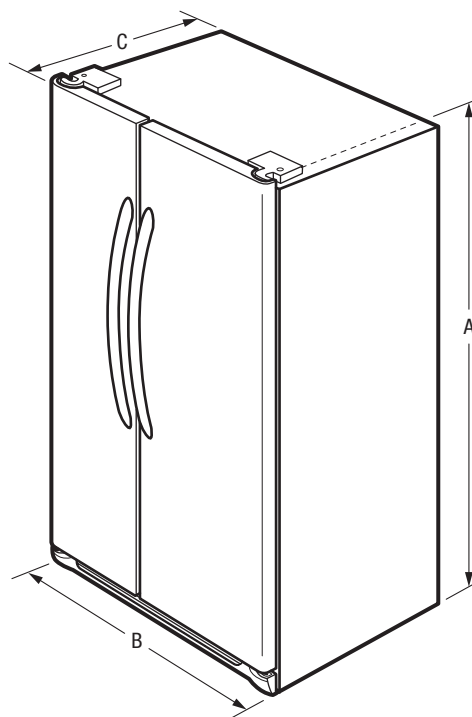
Total Capacity (Cu. Ft.)	25.5
Refrigerator Capacity (Cu. Ft.)	16.5
Freezer Capacity (Cu. Ft.)	9.0
Power Cord Connection Location	Right Bottom Rear
Water Inlet Connection Location	Left Bottom Rear
Voltage Rating	120V/60Hz
Connected Load (kW Rating) @ 120 Volts <sup>2</sup>	1.02
Amps @ 120 Volts	8.5
Minimum Circuit Required (Amps)	15
Shipping Weight (Approx.)	293 Lbs.

<sup>1</sup>When properly installed, this model is A.D.A.-qualified based on the United States Access Board's A.D.A./A.B.A. Accessibility Guidelines and the Department of Justice's 2010 A.D.A. Standards for Accessible Design.

<sup>2</sup>For use on adequately wired 120V, dedicated circuit having 2-wire service with a separate ground wire. Appliance must be grounded for safe operation.

## PRODUCT DIMENSIONS

A - Height (Including Hinges & Rollers)	69-7/8"
B - Cabinet Width / Door Width	35-7/8" / 36"
C - Depth (Including Door)	33-3/8"
Depth with Door Open 90°	50"



**Note:** For planning purposes only. Always consult local and national electric, gas and plumbing codes. Refer to Product Installation Guide for detailed installation instructions on the web at [frigidaire.com](http://frigidaire.com).

Specifications subject to change. Accessories information available on the web at [frigidaire.com](http://frigidaire.com)

FRIGIDAIRE

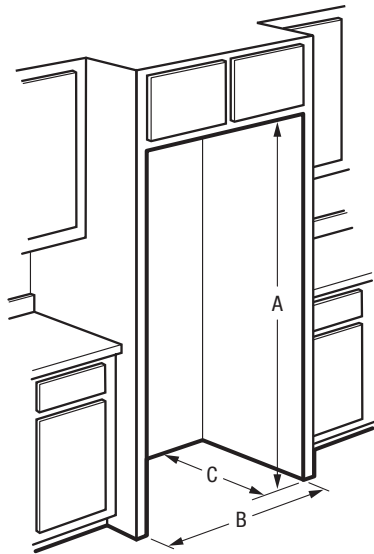
USA • 10200 David Taylor Drive • Charlotte, NC 28262 • 1-800-FRIGIDAIRE • [frigidaire.com](http://frigidaire.com)  
CANADA • 5855 Terry Fox Way • Mississauga, ON L5V 3E4 • 1-800-265-8352 • [frigidaire.ca](http://frigidaire.ca)

DGHX2655T 04/18  
© 2018 Electrolux Home Products, Inc.

# DGHX2655TF SIDE-BY-SIDE REFRIGERATOR

25.5 CU. FT. STANDARD-DEPTH

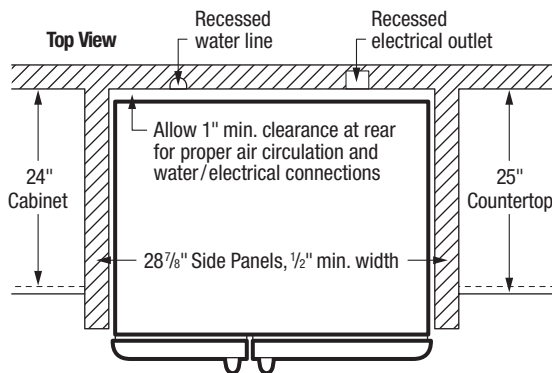
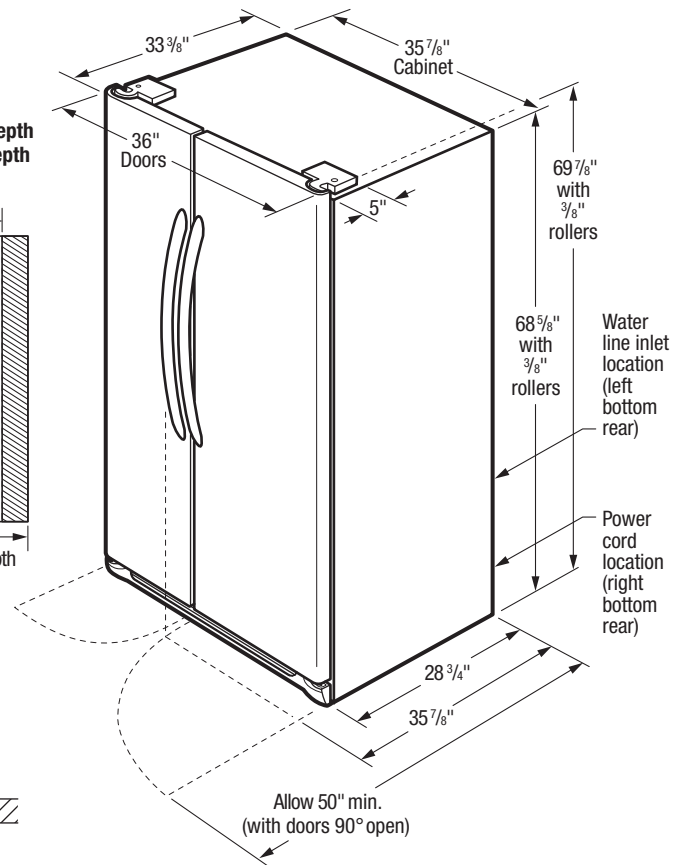
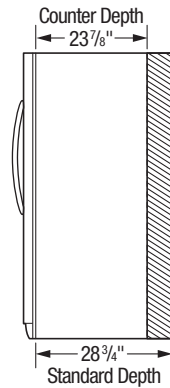
FRIGIDAIRE  
GALLERY



### "Built-In Look" Cutout Dimensions

(A) 70 1/4" (B) 36" (C) 28 7/8"

### Standard Refrigerator Depth vs. Counter Depth



## INSTALLATION SPECIFICATIONS

- Product Shipping Weight (approx.) - 293 Lbs.
- Voltage Rating - 120V/60 Hz
- Connected Load (kW Rating) @ 120 Volts = 1.02 kW  
(For use on adequately wired 120V, dedicated circuit having 2-wire service with a separate ground wire. Appliance must be grounded for safe operation.)
- Amps @ 120 Volts = 8.5 Amps
- Always consult local and national electric & plumbing codes.
- Floor should be level surface of hard material, capable of supporting fully loaded refrigerator.
- When installing refrigerator adjacent to wall, cabinet or other appliance that extends beyond front edge of unit, 20" minimum clearance recommended to allow for optimum 120° to 180° door swing, providing complete drawer/crisper access and removal. (*Absolute 4-1/2" minimum clearance will ONLY allow for 90° door swing which will provide drawer/crisper access with restricted removal.*)
- To ensure optimum performance, avoid installing in direct sunlight or close proximity to range, dishwasher or other heat source.

- For proper ventilation, front grille MUST remain unobstructed.
- Recess electrical outlet when possible.
- Water recess on rear wall recommended to prevent water line damage.
- Water Pressure - Cold water line must provide between 30 and 100 pounds per square inch (psi).
- Copper tubing with 1/4" O.D. recommended for water supply line with length equal to distance from rear of unit to household water supply line plus 7 additional feet. Optional Water Supply Installation Kits available.
- Adjustable front rollers to assist with door alignment.

### "BUILT-IN LOOK" SPECIFICATIONS

- Minimum opening of 70-1/4"H x 36"W x 28-7/8"D required to allow for ease of installation, proper air circulation, and plumbing/electrical connections.
- Remove all wall/floor molding prior to installation.



FRIGIDAIRE

USA • 10200 David Taylor Drive • Charlotte, NC 28262 • 1-800-FRIGIDAIRE • frigidare.com  
CANADA • 5855 Terry Fox Way • Mississauga, ON L5V 3E4 • 1-800-265-8352 • frigidare.ca

*Note: For planning purposes only. Always consult local and national electric, gas and plumbing codes. Refer to Product Installation Guide for detailed installation instructions on the web at frigidare.com.*

*Specifications subject to change. Accessories information available on the web at frigidare.com*

DGHX2655T 04/18

© 2018 Electrolux Home Products, Inc.